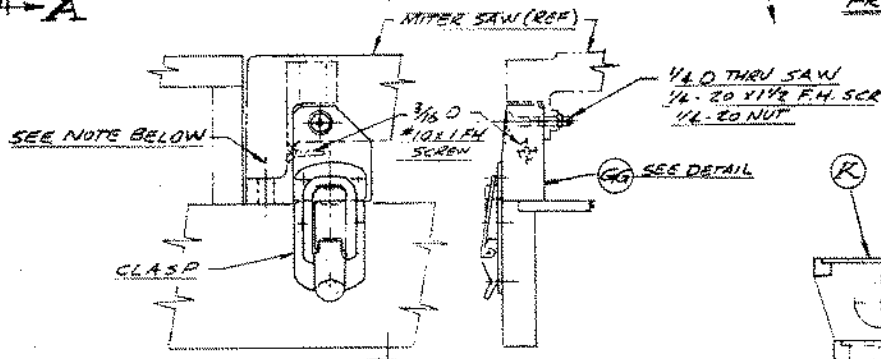
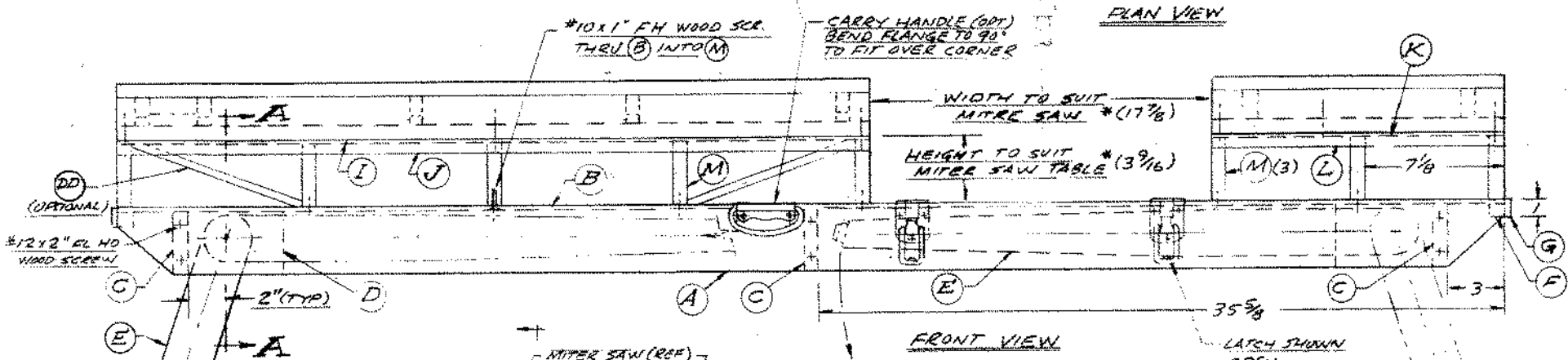
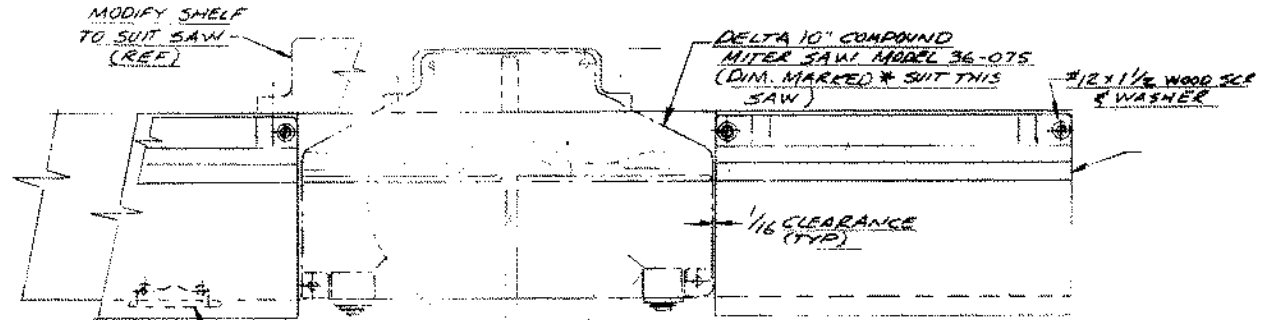


FENCE INSTALLATION
 BOLT MITER SAW IN PLACE, USING A
 LONG STRAIGHT EDGE ALIGN LONG AND
 SHORT FENCES WITH MITER SAW FENCE.
 (OVERSIZE HOLES FACILITATE MOVEMENT)



CLASP TIE-DOWN DETAIL

CLASP TIE-DOWN PERMITS QUICK
 REMOVAL OF SAW. NO REAR ATTACH.
 IS REQ'D. IF SAW USED DOES NOT
 PERMIT USE OF CLASP - USE SAW
 BOLT HOLE LOCATIONS.

TRIM ALL LEGS PARALLEL
 TO FLOOR - ADD 3/4" D x 3/16"
 RUBBER BUMPERS

